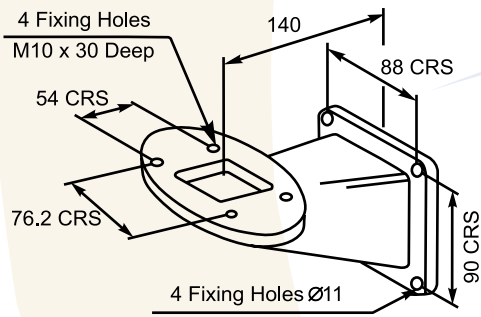
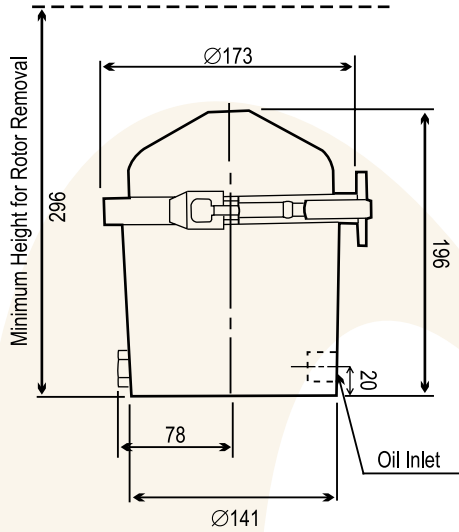


Filtek FT060

All measurements are in mm unless otherwise stated

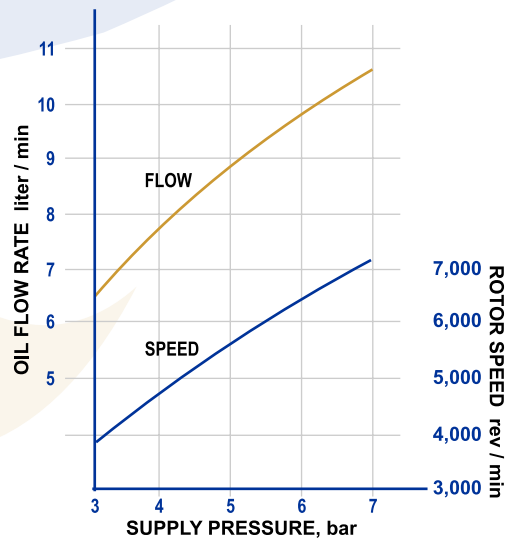


- Suitable for system capacity from 25 to 90 liters
- Rotor dirt capacity 0.6 liters
- Rotor oil capacity 0.75 liters
- Minimum oil feed pipe size 9.5mm internal diameter
- Minimum oil drain pipe size 38mm internal diameter
- Available with or without Cut Off Valve (C.O.V.)
- The net weight of the FT060 is 3kg.



PERFORMANCE CURVES

Typical rotor performance for SAE 30 OIL @ 75°C



Filtek (India) Pvt. Ltd.

S. No. 321, Unit No. 2, Patil Industrial Estate, Bavdhan (Bk.), Pune - 411 021 INDIA

Telefax : +91 20 22952828

E-mail : enquiry@filtekindia.com

URL : www.filtefiltration.com